



Applies To: **1999 3.2TL** – ALL
2000 3.2TL – From VIN 19UUA5...YA000001 Thru VIN 19UUA5...YA008807

April 24, 2000

Squeak or Creak From the Driver's Seat

SYMPTOM

The driver's seat squeaks when the driver moves in it, and/or the seat creaks when it's in the lowest position.

PROBABLE CAUSE

The seat cushion is rubbing against the seat frame, and/or the seat belt buckle mounting bolt is rubbing against the seat frame.

CORRECTIVE ACTION

Apply wool felt tape to the seat frame, and bend the seat belt buckle mounting flange if the seat makes a creaking sound.

REQUIRED MATERIALS

Wool Felt Tape (one roll will repair 4 vehicles):
 P/N 06993-SA5-000

WARRANTY CLAIM INFORMATION

In warranty: The normal warranty applies.

Operation Number: 851003

Flat Rate Time: 0.6 hour

Failed Part: 81660-S0K-A01

Defect Code: 042

Contention Code: B07

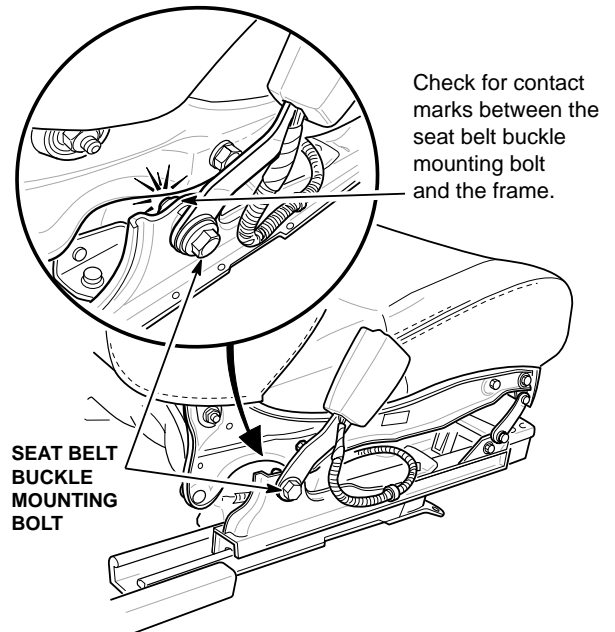
Template ID: 00-014A

Skill Level: Repair Technician

Out of warranty: Any repair performed after warranty expiration may be eligible for goodwill consideration by the District Technical Manager or your Zone Office. You must request consideration, and get a decision, before starting work.

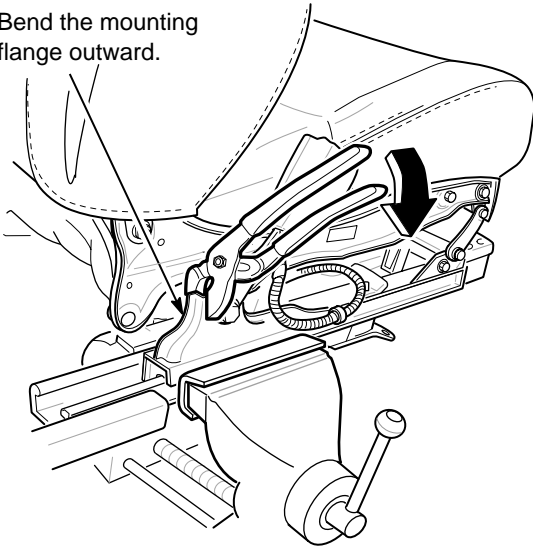
REPAIR PROCEDURE

1. Lower the driver's seat to its lowest position, and then remove it. Refer to page 20-74 in the 1999-00 3.2TL Service Manual.
2. Remove the right side cover from the seat cushion, and check for contact marks between the seat belt buckle mounting bolt and the seat frame.
 - If there are contact marks, go to step 3.
 - If there are no contact marks, go to step 4.

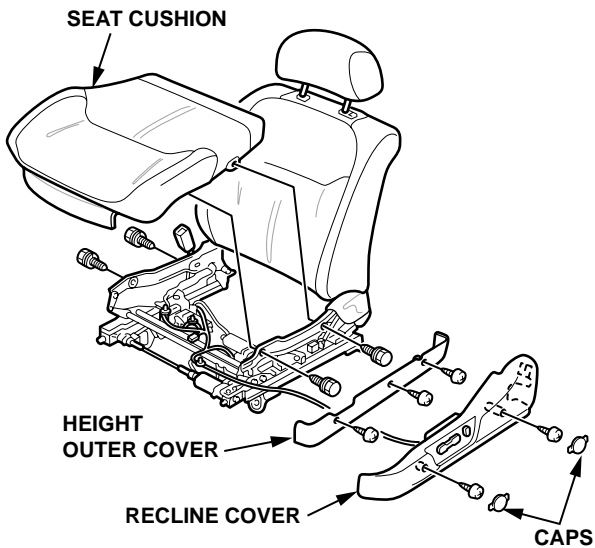


3. With an assistant supporting the seat, clamp the seat rail in a vise, and bend the seat belt buckle mounting flange away from the seat frame with a pair of pliers.

Bend the mounting flange outward.



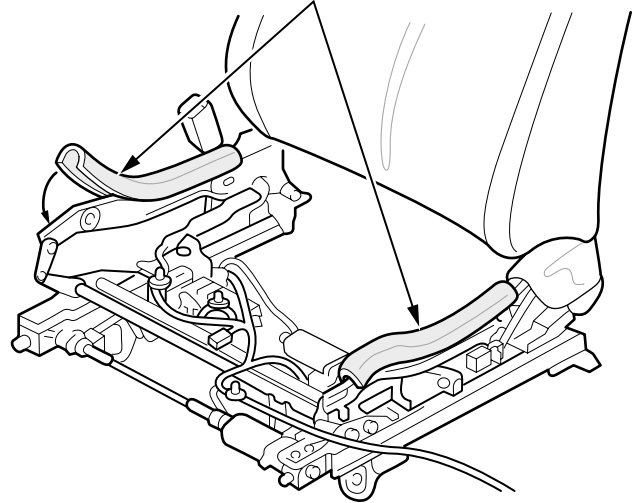
4. Remove the side covers from the seat frame.



5. Remove the seat cushion from the frame.

6. Cut two 410 x 15 mm strips of wool felt tape, and apply them to both sides of the frame.

Apply wool felt to both sides.



7. Reassemble the seat, and reinstall it in the car.